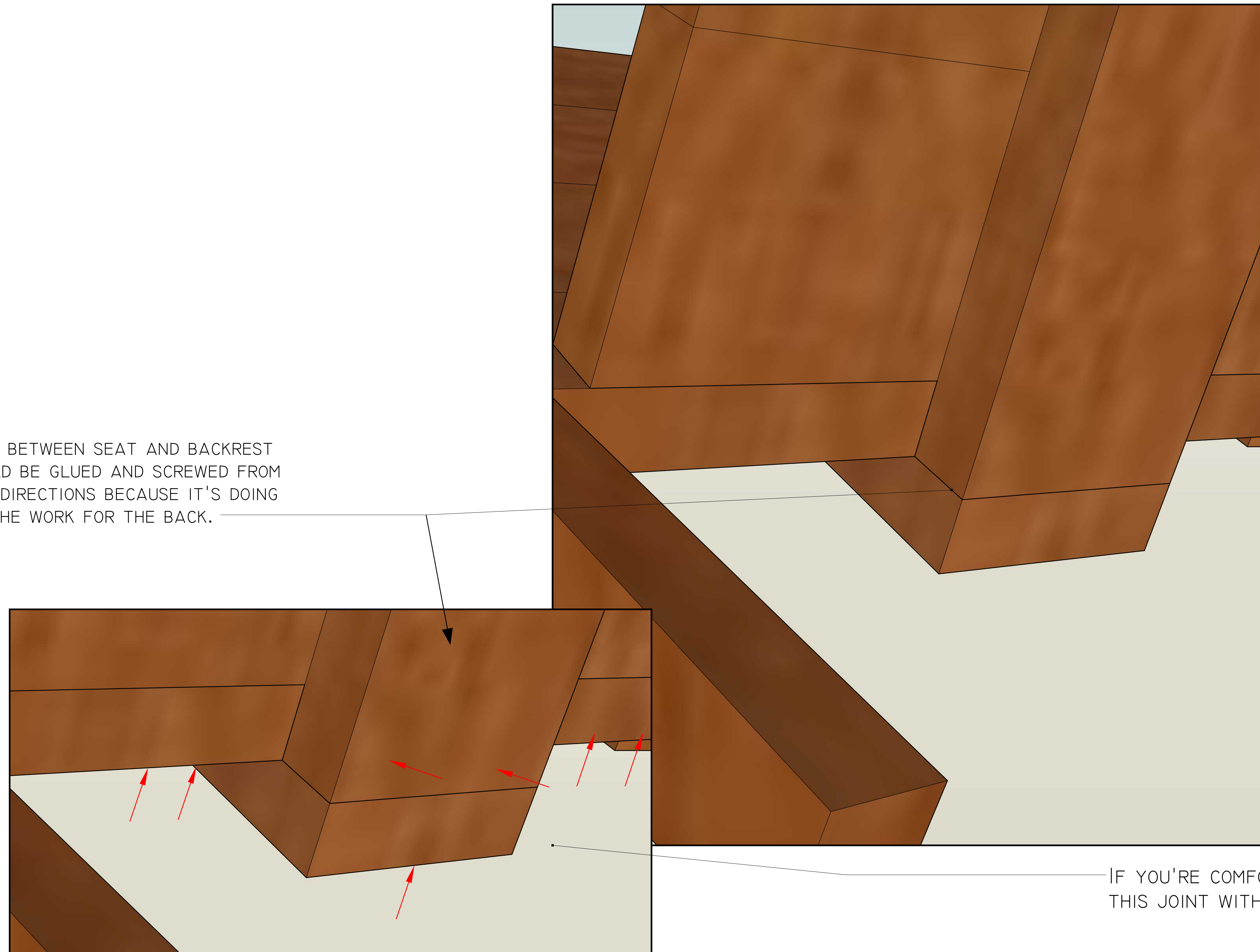


IF YOU BUILD YOUR OWN PLEASE SHARE IT WITH ME ON INSTAGRAM: RAAZDESIGNLLC, I'M CURIOUS TO SEE WHAT OTHER PEOPLE DO WITH THE DESIGN.  
THANK YOU, COLLIN

ALSO IF YOU NOTICE ANYTHING THAT NEEDS TO BE ADDED TO THESE PLANS PLEASE LET ME KNOW SO I CAN UPDATE THEM.

THIS CHAIR CAN BE BUILT WITH FOUR 2" X 8" X 8' BOARDS FROM YOUR LOCAL BOX STORE, OR 6/4 HARDWOODS FOR A MORE POLISHED VERSION.

JOINT BETWEEN SEAT AND BACKREST  
SHOULD BE GLUED AND SCREWED FROM  
BOTH DIRECTIONS BECAUSE IT'S DOING  
ALL THE WORK FOR THE BACK.



IF YOU'RE COMFORTABLE WORKING WITH METAL YOU COULD REINFORCE  
THIS JOINT WITH A SIMPLE METAL BRACKET.

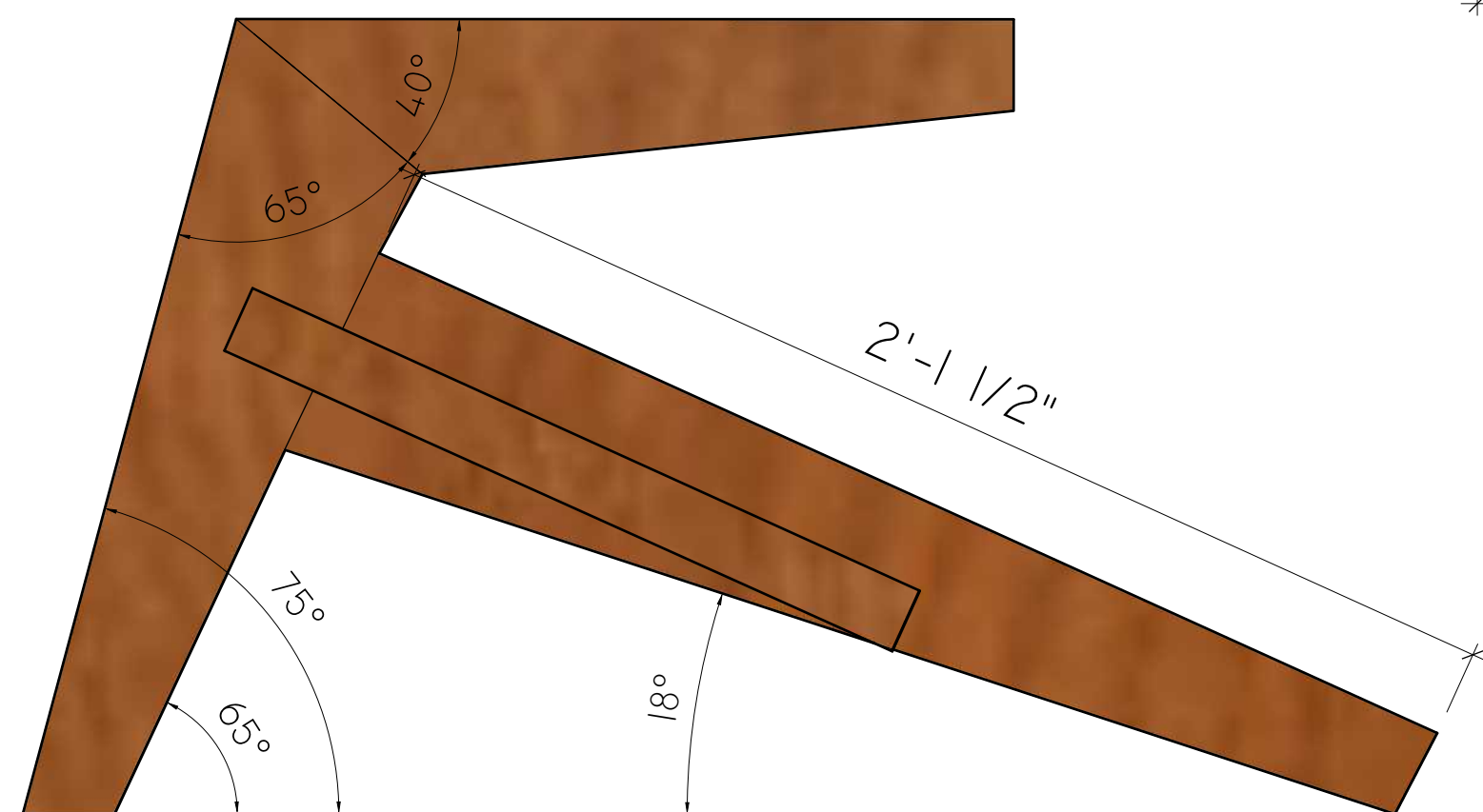
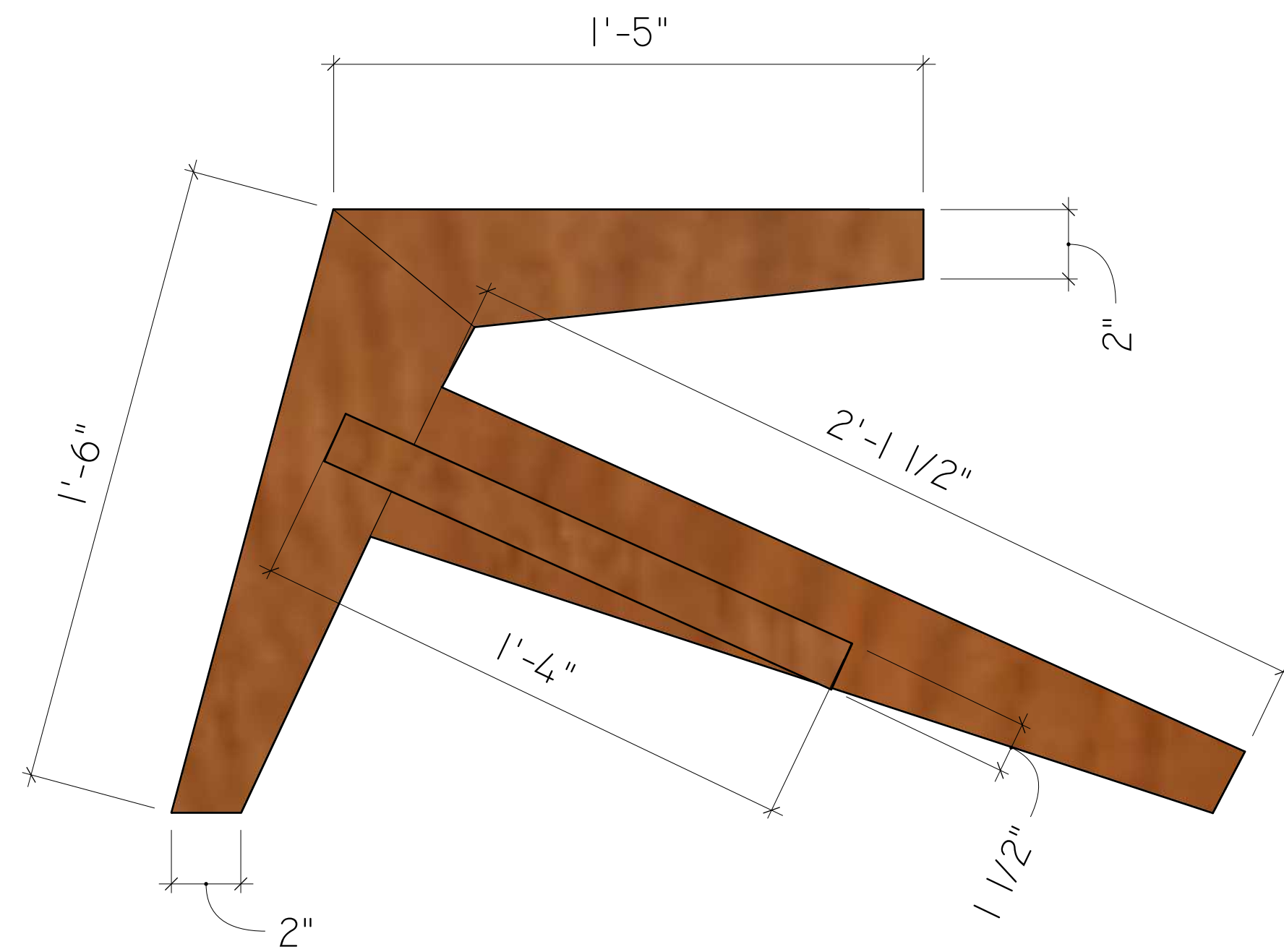
LEG ARMS, USE SCREWS, DOWELS, SPLINES OR BRIDLE JOINTS TO STRENGTHEN



CHAMPFER OR ROUND LEGS TO YOUR PREFERRED STYLE

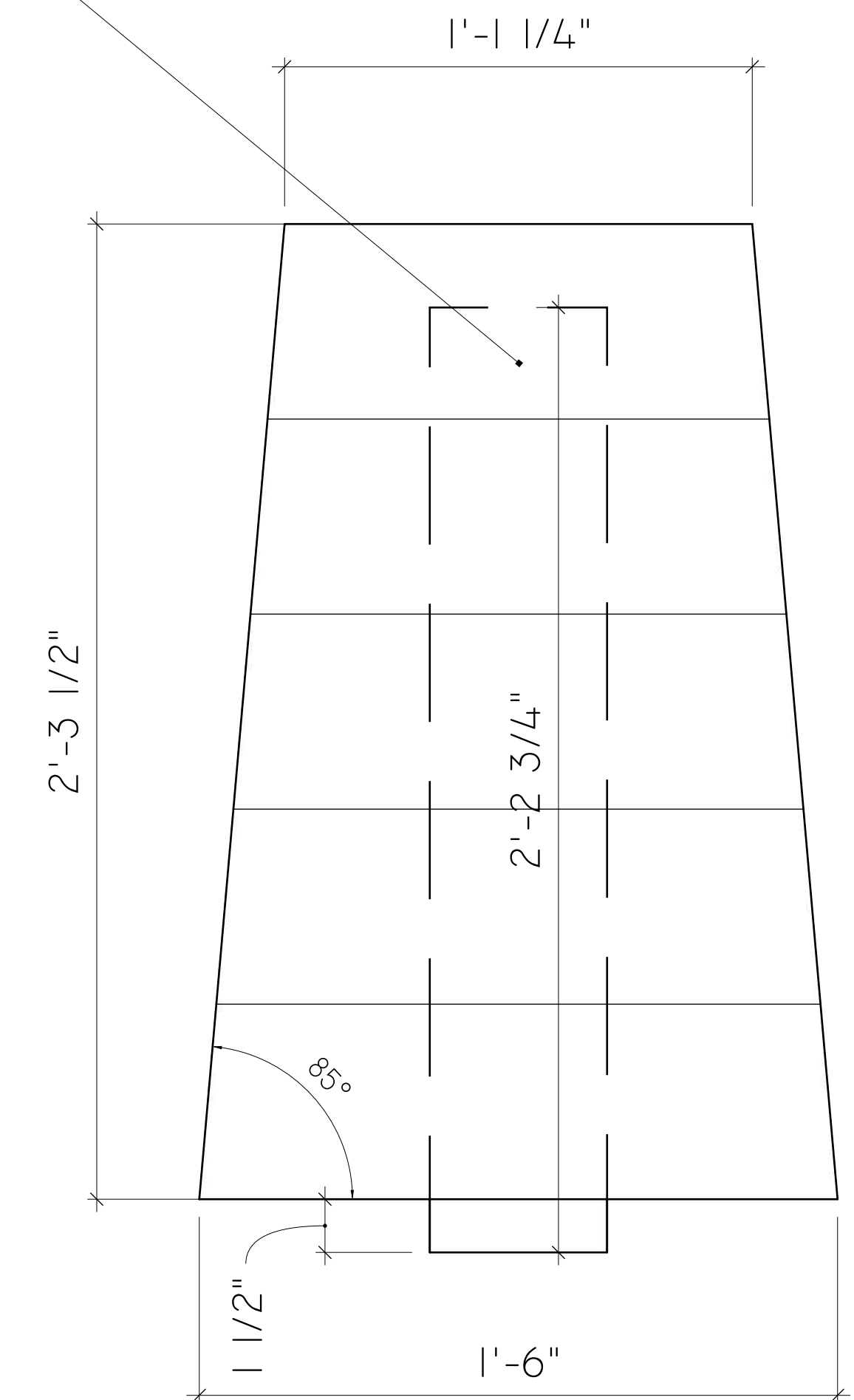
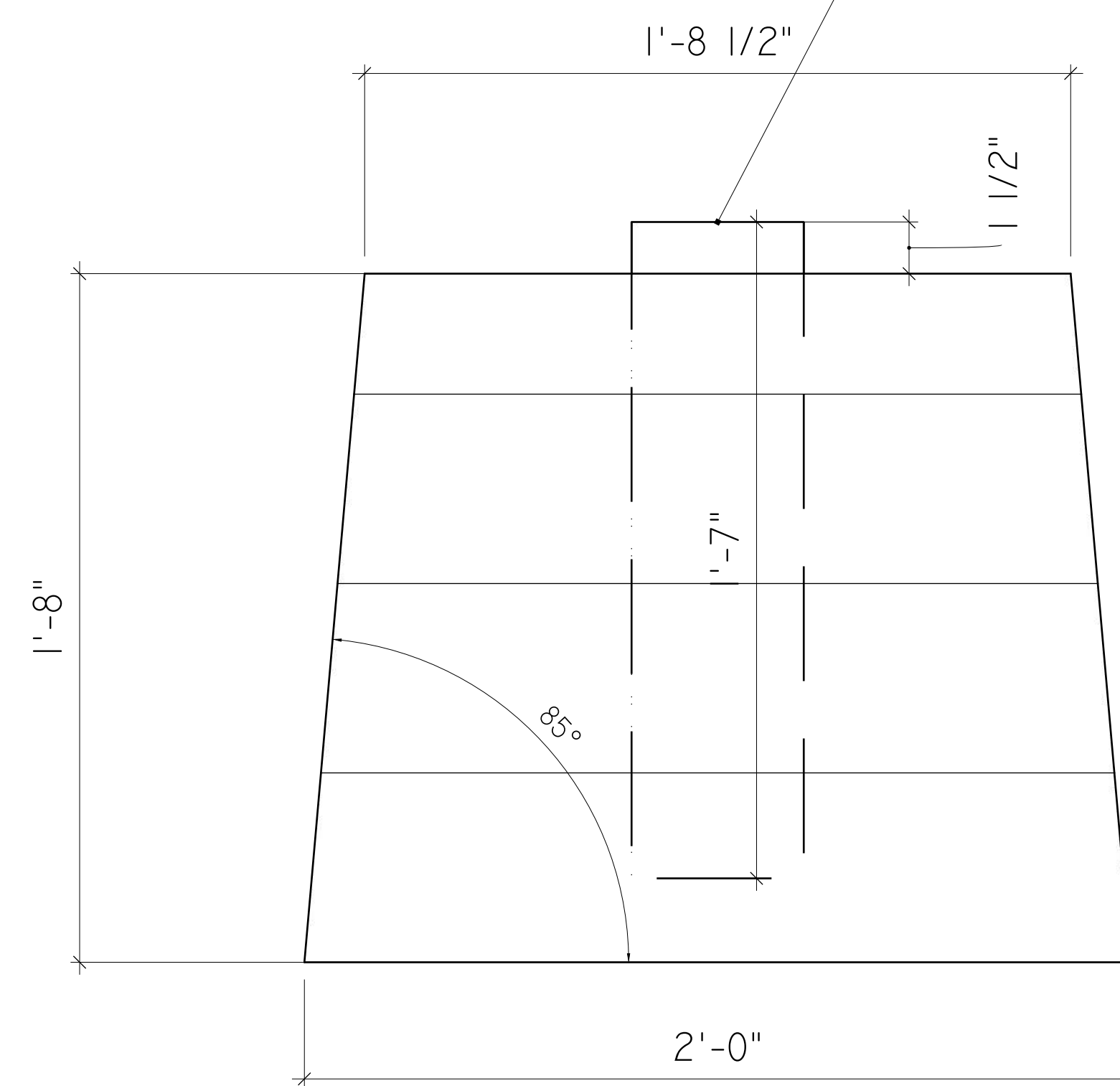


SEAT LEDGER, CRITICAL TO THE SUPPORT OF THE LEG ASSEMBLY BECAUSE IT REINFORCES THE JOINT BETWEEN THE FRONT AND BACK LEGS



SEAT BRACE UNDERSIDE

BACKREST SUPPORT



REVISIONS

REMARKS

NO/DRAW

1

2

3

4

5



"WEDGE" MODERN ADIRONDACK

ASSEMBLED DIMENSIONS

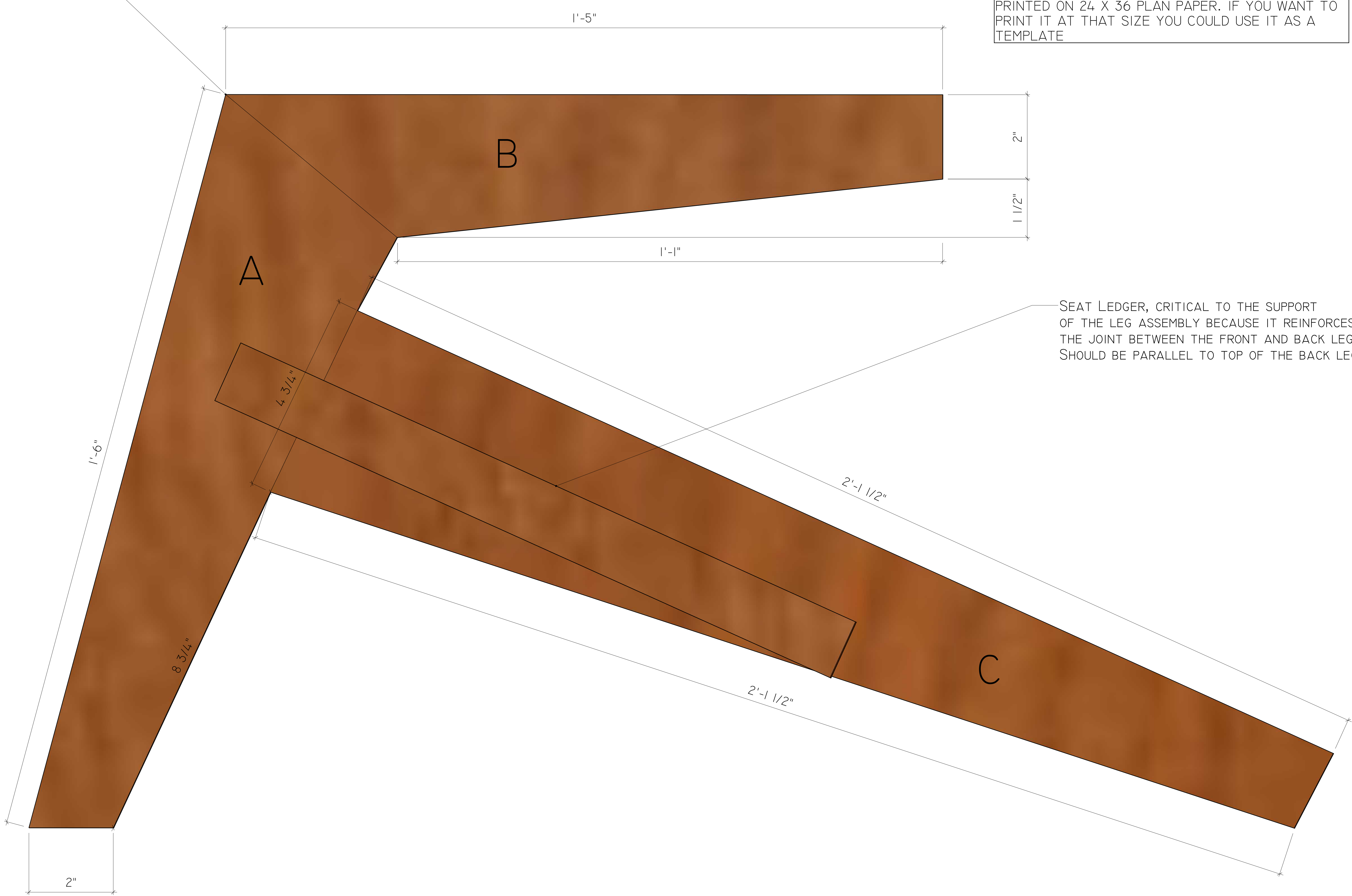
A

01



LEG ARMS, USE SCREWS, DOWELS, SPLINES OR BRIDLE JOINTS TO STRENGTHEN

THIS PAGE IS A FULL SCALE DRAWING WHEN PRINTED ON 24 X 36 PLAN PAPER. IF YOU WANT TO PRINT IT AT THAT SIZE YOU COULD USE IT AS A TEMPLATE



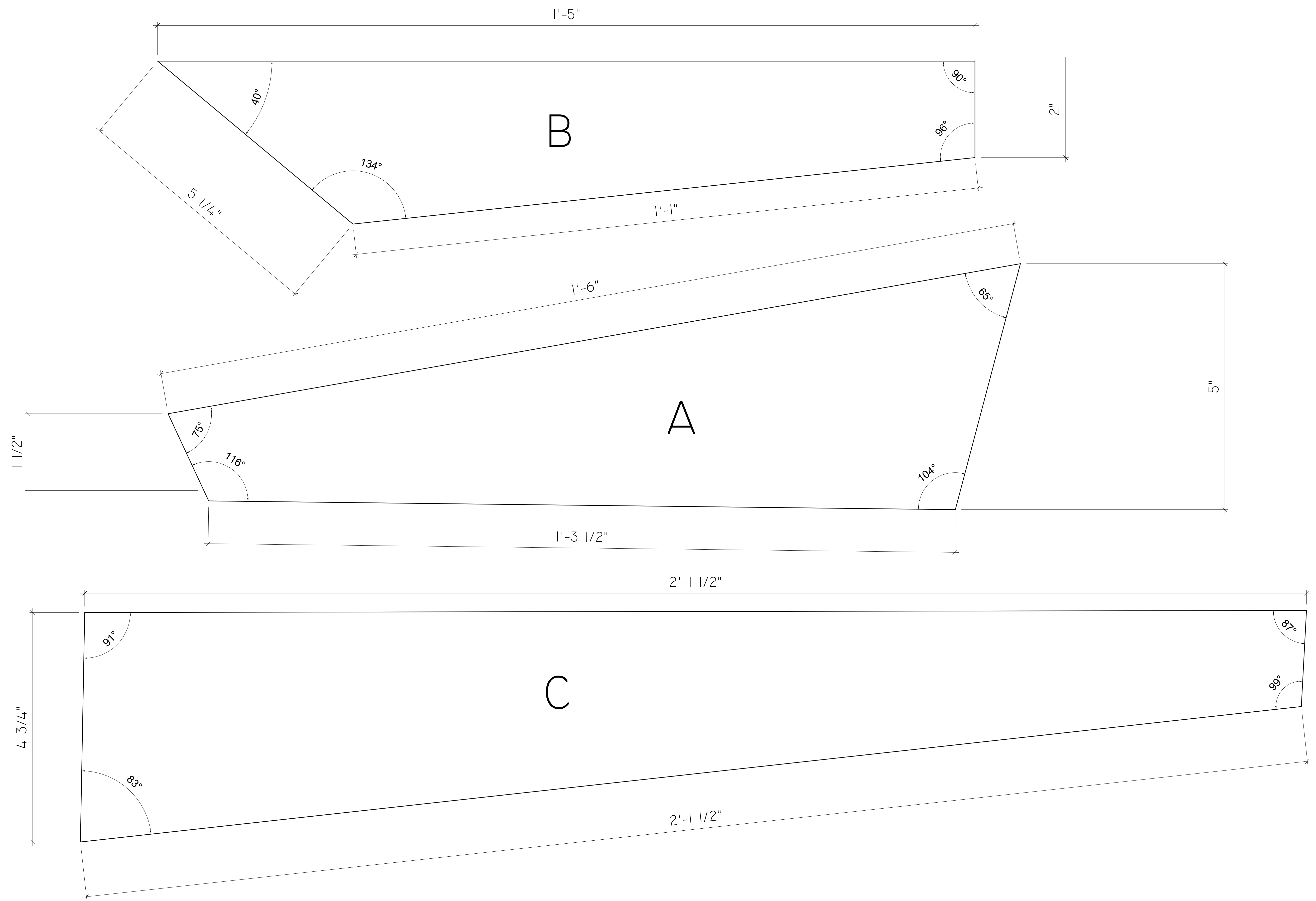
REVISIONS	
NO.	REMARKS
1	...
2	...
3	...
4	...
5	...

raaz design

"WEDGE" MODERN ADIRONDACK

LEG ASSEMBLY

THIS PAGE IS A FULL SCALE DRAWING WHEN PRINTED ON 24 X 36 PLAN PAPER. IF YOU WANT TO PRINT IT AT THAT SIZE YOU COULD USE IT AS A TEMPLATE



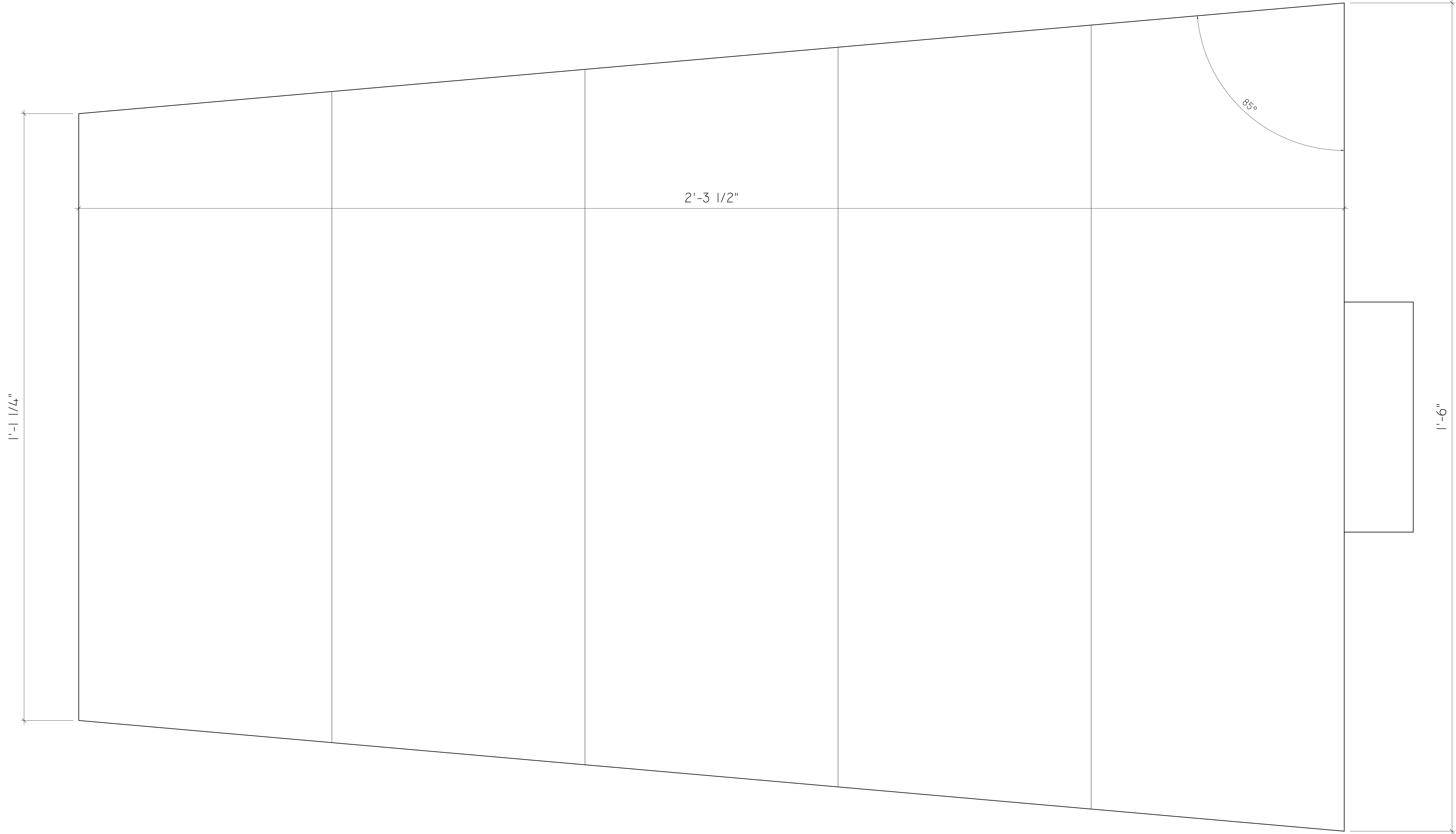
REVISIONS	
NO.	REMARKS
1	ISSUED FOR FABRICATION
2	ISSUED FOR FABRICATION
3	ISSUED FOR FABRICATION
4	ISSUED FOR FABRICATION
5	ISSUED FOR FABRICATION

**raaz design**

"WEDGE" MODERN ADIRONDACK

LEG ASSEMBLY

THIS PAGE IS A FULL SCALE DRAWING WHEN PRINTED ON 24 X 36 PLAN PAPER. IF YOU WANT TO PRINT IT AT THAT SIZE YOU COULD USE IT AS A TEMPLATE

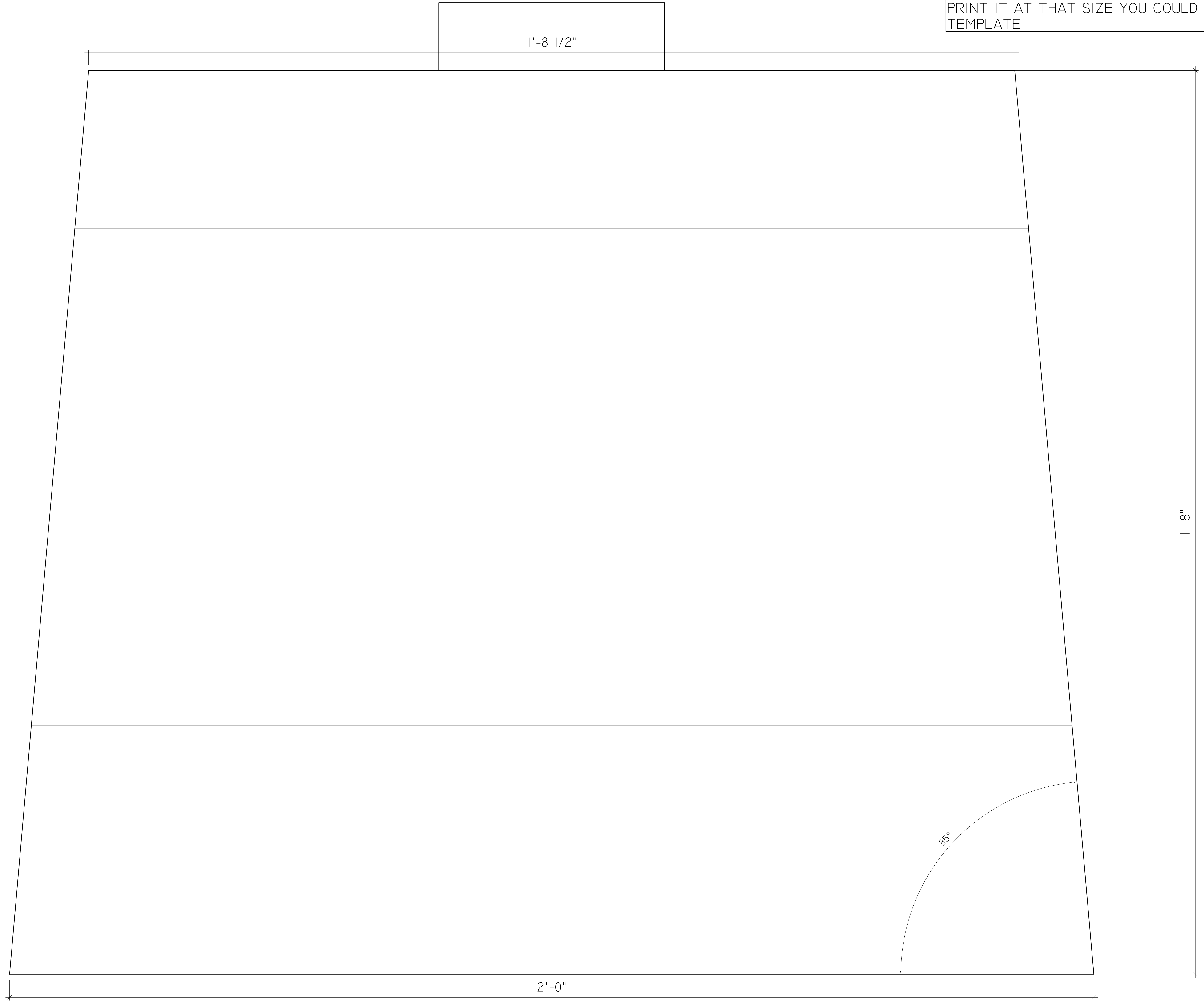


REVISIONS	
NO.	REMARKS
1	...
2	...
3	...
4	...
5	...

**raaz design**  
"WEDGE" MODERN ADIRONDACK

BACKREST ASSEMBLY

THIS PAGE IS A FULL SCALE DRAWING WHEN PRINTED ON 24 X 36 PLAN PAPER. IF YOU WANT TO PRINT IT AT THAT SIZE YOU COULD USE IT AS A TEMPLATE



REVISIONS	
NO.	REMARKS
1	
2	
3	
4	
5	

**raaz design**

"WEDGE" MODERN ADIRONDACK

SEAT ASSEMBLY